

COMPRESSION FITTINGS FOR COPPER PIPES - R178



R178

Use

The connection of the copper pipes to plumbing distribution/regulation systems can be made by using this type of compression fittings.

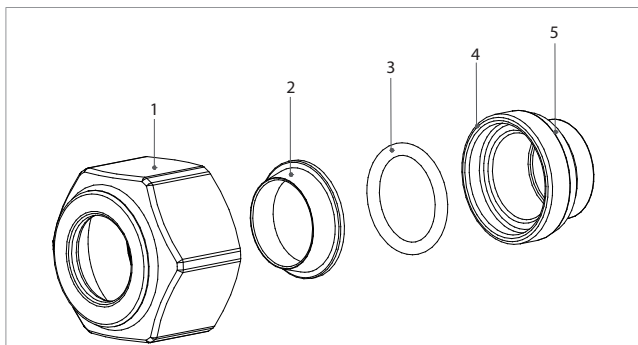
Specifications

- Temperature range: 5÷110 °C
- Max. working pressure: 10 bar
- Elements of hydraulic sealing:
 - “black” o-ring (alimentary EPDM) in accordance with EN 681-1 is suitable for drinking water supply (P51RN);
 - “yellow” o-ring (HNBR nitrile) in accordance with EN 682 is suitable for gas and hydrocarbon distributions.

Versions and product codes

It is advisable to refer to the updated price list catalogue or to contact Giacomini branch, area manager or the local distributor to identify dimensions and product codes available for each type, suitable for distribution of water and/or gas and hydrocarbons.

Installation



- 1) cap
- 2) mechanical sealing element
- 3) internal “o-ring”
- 4) adaptor
- 5) external “o-ring”

- 1) The pipe must be cut perpendicularly to its axis and deburred on the outer surface. We recommend using a roller pipe cutter.
- 2) Place the cap then the first element of the mechanical seal on the tube.
- 3) Lubricate the hydraulic sealing elements (fundamental operation to prevent damages to the o-ring during the installation phase, compromising the effectiveness of the junction).
- 4) Install the internal o-ring into the adaptor seat (where applicable) or the terminal of the plumbing distribution/regulation system.

5) Insert the pipe into the adaptor (where applicable) or in the terminal of the plumbing distribution/regulation system until it stops against it.

6) Proceed by tightening the cap to the terminal of the plumbing distribution/regulation system.



Warning!

The excessive value of the torque to the terminal of the plumbing distribution / regulation system is likely to compromise both mechanical and hydraulic behavior of the fitting.

Related Standards

EN 1254-2

Copper and copper alloys – Plumbing fittings – Part 2: fittings with compression ends for use with copper tubes

EN 1254-4

Copper and copper alloys – Plumbing fittings – Part 4: Fittings combining other end connections with capillary or compression ends.

Additional information

For additional information please check the Giacomini website at the following address: www.giacomini.com

☎ +39 0322 923372

☎ +39 0322 923255

✉ consulenza.prodotti@giacomini.com

This pamphlet is merely for information purposes. Giacomini S.p.A. retains the right to make modifications for technical or commercial reasons, without prior notice, to the items described in this pamphlet. The information described in this technical pamphlet does not exempt the user from following carefully the existing regulations and norms on good workmanship.

Giacomini S.p.A. Via per Alzo, 39 I-28017 San Maurizio d'Opaglio (NO) Italy