



**R554I**

**Description**

The R554I valve is a terminal for manifolds. It has an automatic air vent and is fitted with a self-sealing gasket and outlet. Suitable for sanitary distribution, heating and cooling systems with water and glycol solutions.

**Versions and product codes**

| Product code | Connections | Notes                                |
|--------------|-------------|--------------------------------------|
| R554IY004    | 3/4"        | Total closure function               |
| R554IY005    | 1"          |                                      |
| R554IY034    | 3/4"        | Safety function with hygroscopic cap |
| R554IY035    | 1"          |                                      |

**Technical data**

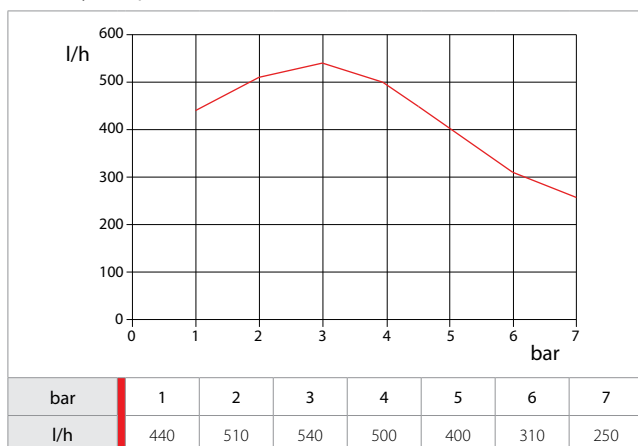
- Temperature range: 5÷90 °C
- Max. working pressure: 7 bar

**Materials**

- Body and cap: stamped brass UNI EN 12165 CW617N
- Float: PP
- Spring: stainless steel
- Elastomeric hydraulic seal: NBR
- Hygroscopic hydraulic seal: cellulose fibre
- Moulded parts in plastic

**Performance**

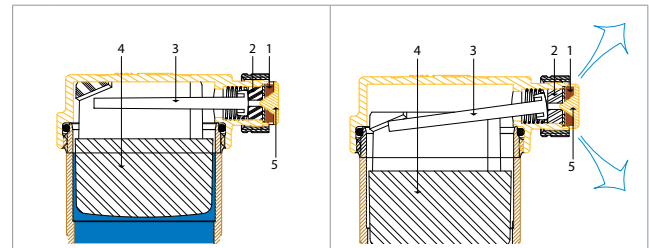
The table and graph show the **outlet flow rates** in standard conditions, as the **relative system pressure** varies.



**Operation**

The operating principle of the automatic air vent valve is based on the concept of objects floating in a liquid.

When there is no air accumulation in the valve cylinder, the float is up and keeps the shutter closed thanks to the mechanism. The float lowers when air accumulates in the cylinder, and this causes the opening of the shutter and the subsequent venting (which continues until the initial conditions are restored).



**Legend**

|   |  |
|---|--|
| 1 | Hygroscopic gasket (for R554IY034, R554IY035 only) |
| 2 | Elastomeric gasket (NBR)                           |
| 3 | Shutter  |
| 4 | Float  |
| 5 | Cap  |

**Total closure function**

In these versions, the bleeding of the air is prevented by tightening the side cap.

In normal operating conditions, the cap must be loosened.

**Safety function with hygroscopic cap**

In these versions, there are hygroscopic gaskets inside the brass cap. These gaskets increase in size when they come into contact with the water, and thereby close the valve.

This avoids any possible damage in the event of water leakage (safety function).

In normal operating conditions, the cap may be kept closed or open:

- with the cap closed, the air outlet is via the hygroscopic gaskets (dry).
- with the cap open, the safety function is still guaranteed as the cap can only open to a certain degree and this may be counterbalanced by the increase in size of the wet hygroscopic gaskets.



**NB:** in the versions with a hygroscopic cap, you are advised to keep the cap closed (not tightened) during operation.



**Installation**

The R554I valves are usually installed on the manifolds. They must be positioned vertically, with the air vent valve facing upwards.

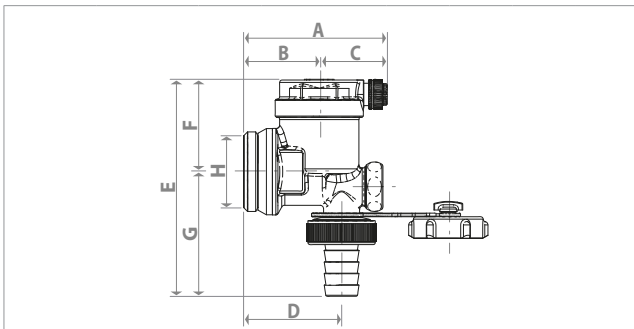
You are advised to install them in an easily accessible position.



**Warning.**

Close the cap of the air vent valve when rinsing out and filling the system, to prevent impurities from entering the mechanisms of the valve and damaging it.

**Dimensions**



| Product code | Connections H | A [mm] | B [mm] | C [mm] | D [mm] | E [mm] | F [mm] | G [mm] |
|--------------|---------------|--------|--------|--------|--------|--------|--------|--------|
| R554IY004    | 3/4"          | 60     | 32     | 28     | 41     | 90     | 40     | 50     |
| R554IY005    | 1"            | 60     | 32     | 28     | 41     | 91     | 39     | 52     |
| R554IY034    | 3/4"          | 60     | 32     | 28     | 41     | 90     | 40     | 50     |
| R554IY035    | 1"            | 60     | 32     | 28     | 41     | 91     | 39     | 52     |

**Product specifications**

**R554I**

Compact automatic air vent valve, not chrome-plated, with male threaded connection and shut-off cock (optional). Body and cap in stamped brass UNI EN 12165 CW617N, float in PP, spring in stainless steel, hydraulic seal in NBR and moulded parts in plastic. Also available in versions with a hygroscopic cap with gaskets in cellulose fibre. Suitable for sanitary distribution, heating and cooling systems with water and glycol solutions. Temperature range 5÷90 °C. Max. working pressure 7 bar.

**Additional information**

For additional information please check the website [www.giacomini.com](http://www.giacomini.com) or contact the technical service: ☎ +39 0322 923372 📠 +39 0322 923255 ✉ [consulenza.prodotti@giacomini.com](mailto:consulenza.prodotti@giacomini.com)  
 This pamphlet is merely for information purposes. Giacomini S.p.A. retains the right to make modifications for technical or commercial reasons, without prior notice, to the items described in this pamphlet. The information described in this technical pamphlet does not exempt the user from following carefully the existing regulations and norms on good workmanship.  
 Giacomini S.p.A. Via per Alzo, 39 - 28017 San Maurizio d'Opaglio (NO) Italy