



R705K



R706K

Description

Radiator system kit composed by valve with manual handwheel and lockshield, with male threaded for iron pipe connections.

Technical data

- Temperature range: 5÷110 °C
- Max. working pressure: 16 bar

Versions and product codes

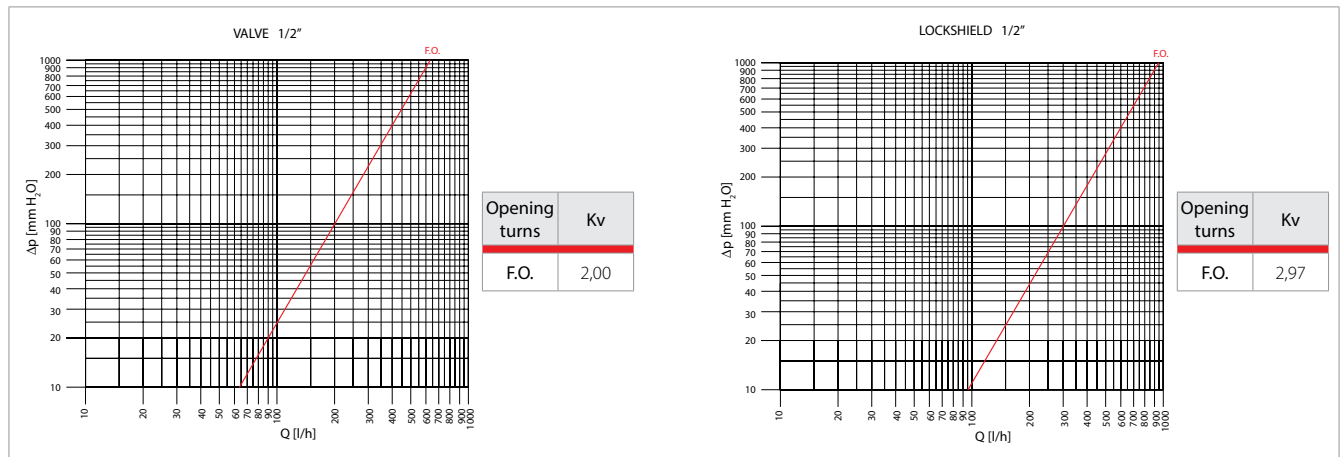
Product code	Size	Type
R705KX003	1/2"	Angle version
R706KX003	1/2"	Straight version

Materials

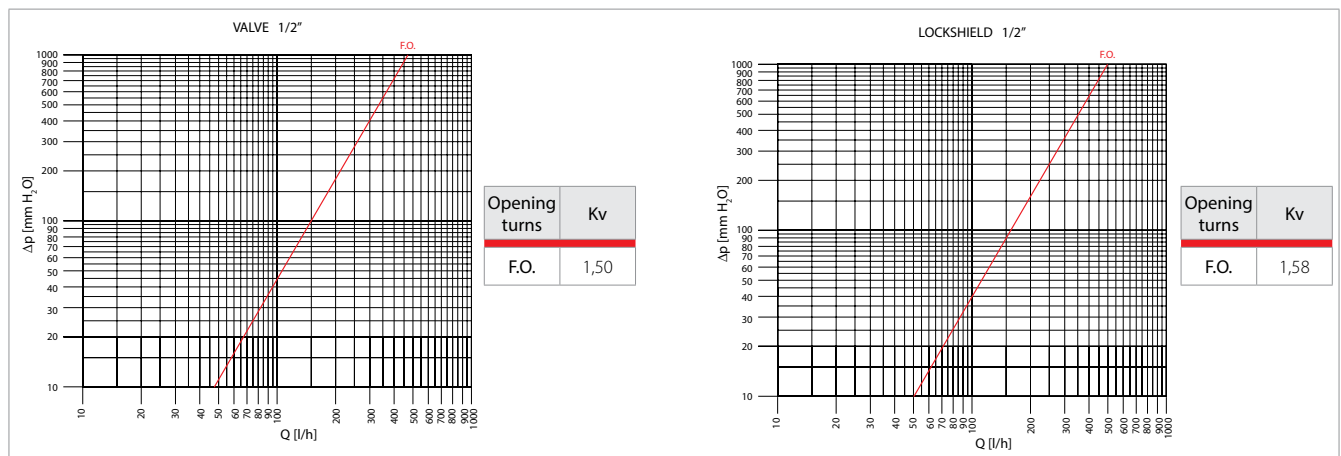
- Valve and lockshield bodies: EN 12165 - CW617N chrome plated brass
- Valve handwheel: ABS

Loss of pressure

R705K

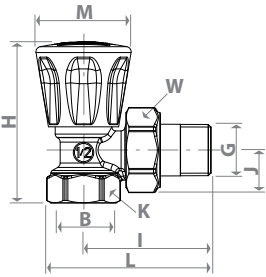


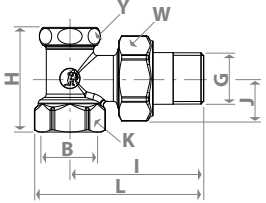
R706K



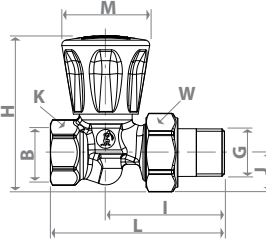
Dimensions

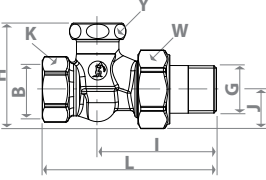
R705K

Valve							
							
G x B	I [mm]	H [mm]	J [mm]	L [mm]	M [mm]	K [mm]	W [mm]
1/2"M x 1/2"F	50	63	21	69	37	26	30

Lockshield							
							
G x B	I [mm]	H [mm]	J [mm]	L [mm]	K [mm]	Y [mm]	W [mm]
1/2"M x 1/2"F	53	41	21	67	25	22	30

R706K

Valve							
							
G x B	I [mm]	H [mm]	J [mm]	L [mm]	M [mm]	K [mm]	W [mm]
1/2"M x 1/2"F	50	66	17	74	37	25	30

Lockshield							
							
G x B	I [mm]	H [mm]	J [mm]	L [mm]	Y [mm]	K [mm]	W [mm]
1/2"M x 1/2"F	51	45	17	74	22	25	30

Additional information

For additional information please check the website www.giacomini.com or contact the technical service: ☎ +39 0322 923372 📠 +39 0322 923255 ✉ consulenza.prodotti@giacomini.com
 This pamphlet is merely for information purposes. Giacomini S.p.A. retains the right to make modifications for technical or commercial reasons, without prior notice, to the items described in this pamphlet. The information described in this technical pamphlet does not exempt the user from following carefully the existing regulations and norms on good workmanship.
 Giacomini S.p.A. Via per Alzo, 39 - 28017 San Maurizio d'Opaglio (NO) Italy